



SNOW WOLF

SW-022



**HOP
UP**

FOR AGES 18 YEARS AND UP

HANDLING CAUTIONS AND INSTRUCTION MANUAL



SW-022

HANDLING CAUTIONS AND INSTRUCTION MANUAL



Warning!

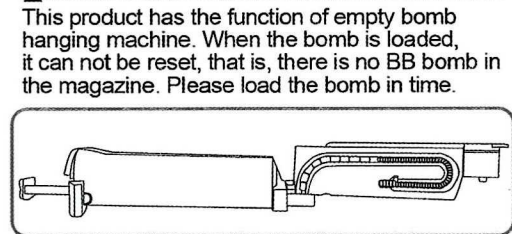
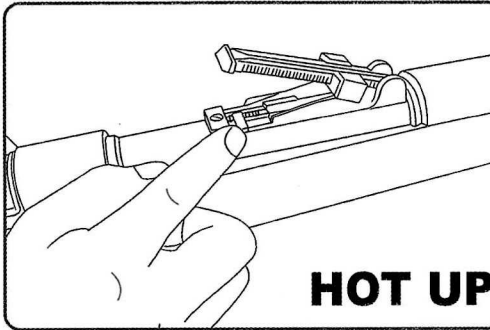
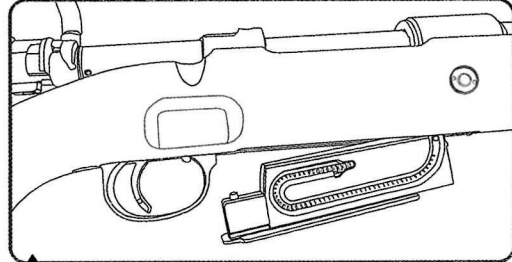
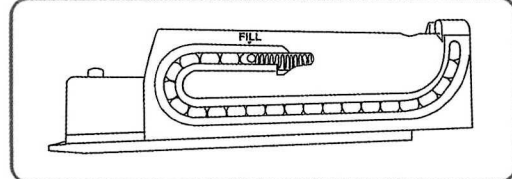
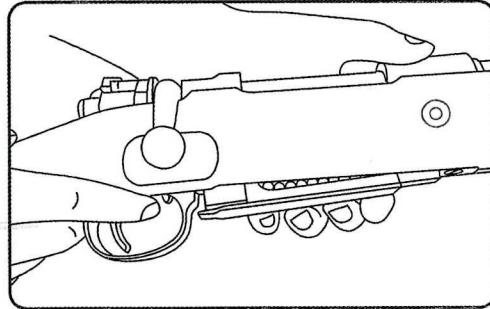
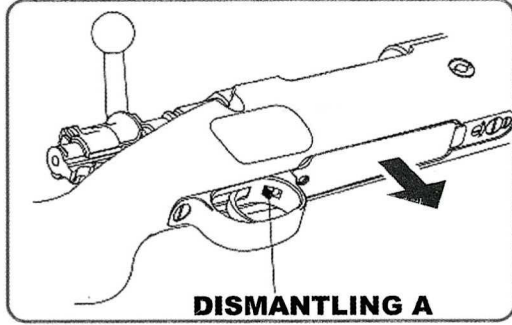
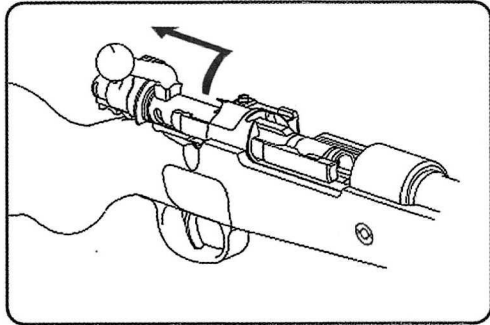
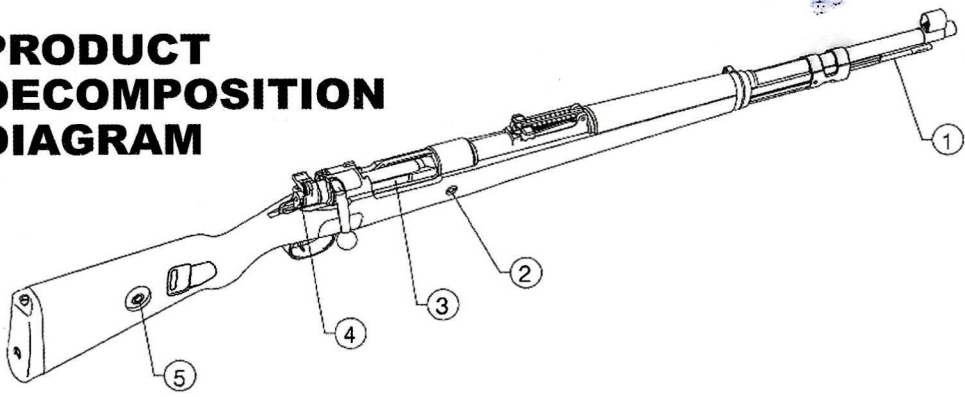
This Product has been manufactured and sold pursuant to the laws and relevant regulations of Japan and based upon the societal attitude towards toy guns, etc. in Japan. No warranty is provided that this Product complies with the laws and regulations of any other countries. This English explanatory note concerning this Product is intended only for the information of a foreign user who uses this Product in Japan.

MADE IN CHINA

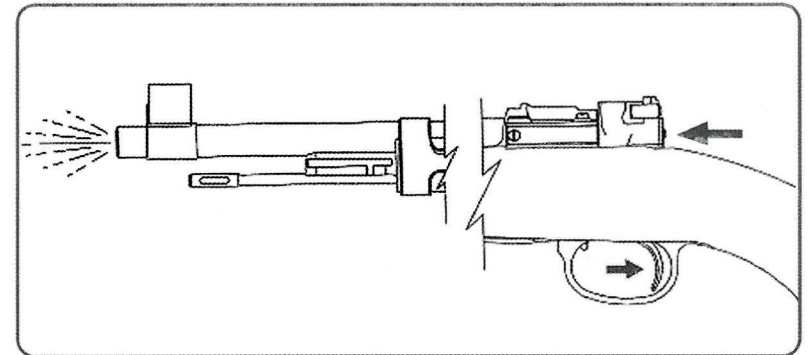
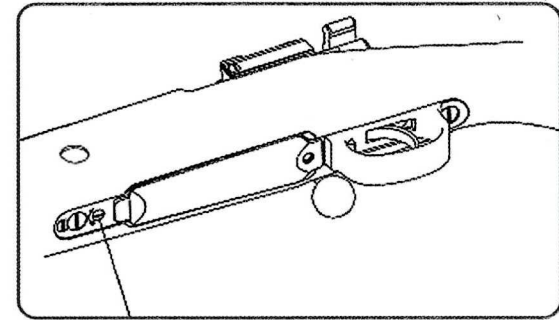
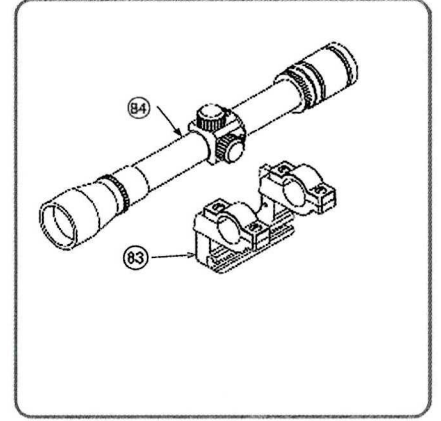
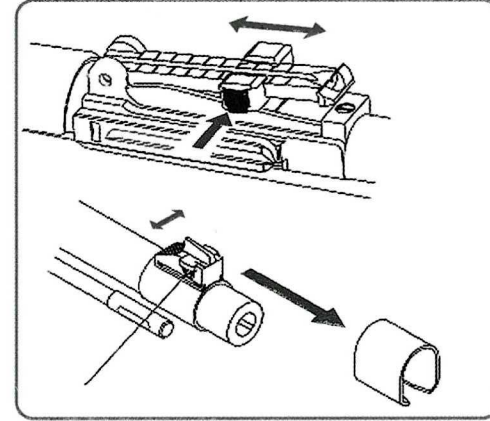
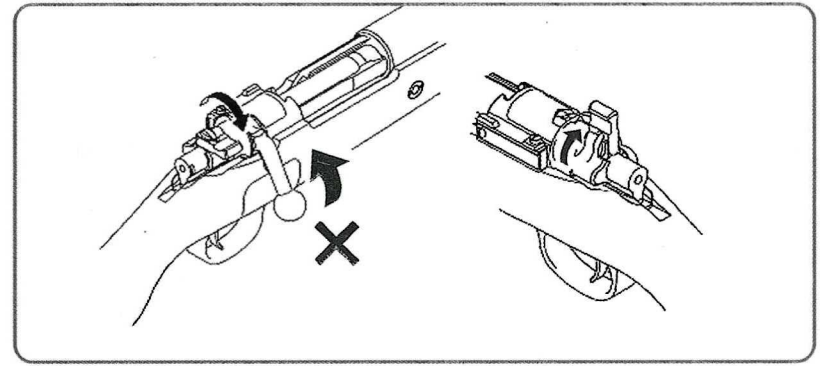
SNOW WOLF

SW-022

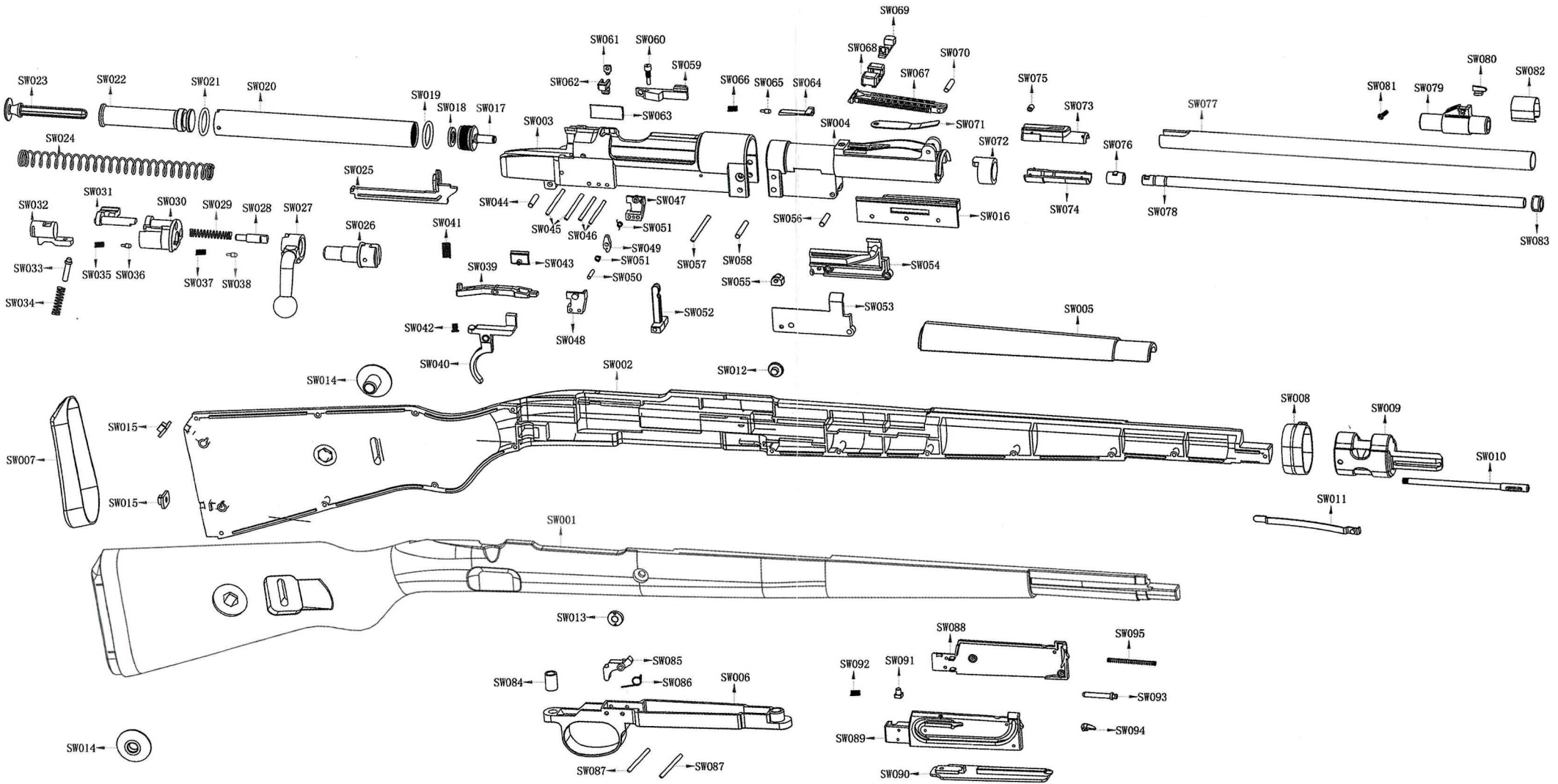
PRODUCT DECOMPOSITION DIAGRAM



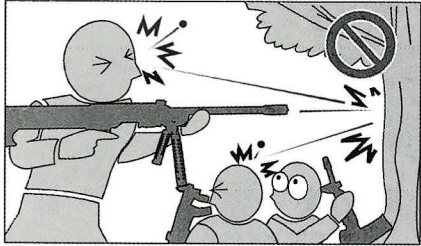
This product has the function of empty bomb hanging machine. When the bomb is loaded, it can not be reset, that is, there is no BB bomb in the magazine. Please load the bomb in time.



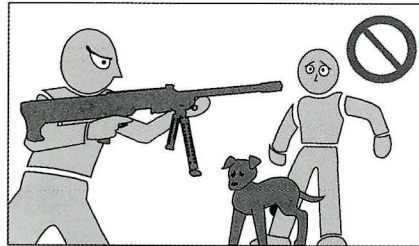
PRODUCT DECOMPOSITION DIAGRAM



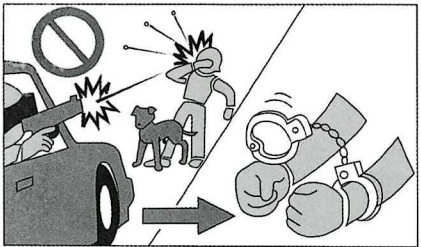
REGULATION



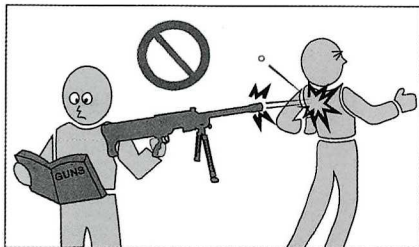
When shooting the Airsoft Gun for a target or game, you and all participants must wear goggles or other eye protective gear, also paying attention to ricochets. (Pay sufficient attention also to third personnel other than participants.)



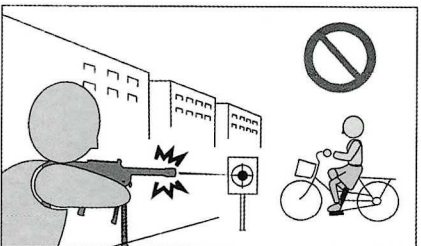
Never aim or shoot a person or animal as the target, Always attach the protective plug to the muzzle, except when you are ready to shoot a target.



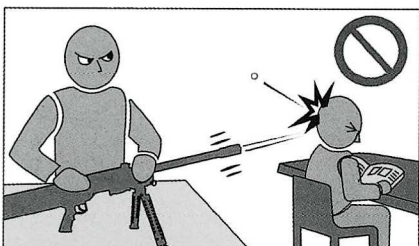
You may be punished if you are shooting for a practical joke.



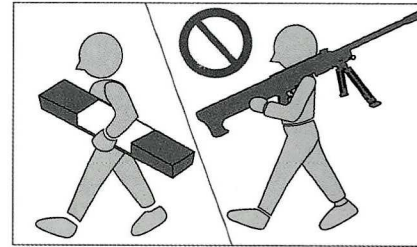
Avoid pulling the trigger carelessly.



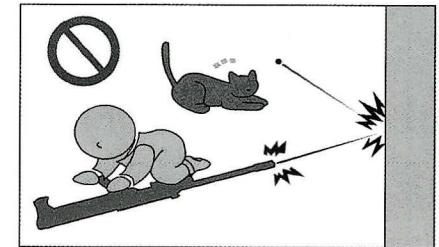
Never shoot the Airsoft Gun at places where people and cars pass cross.



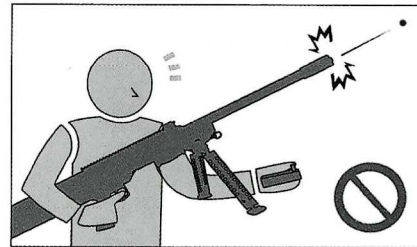
Always direct the muzzle towards a safe direction.



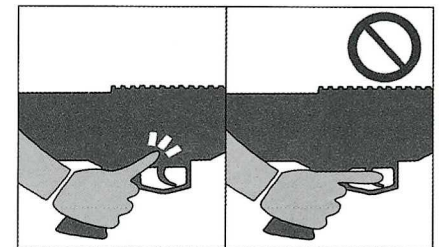
Always put the Airsoft Gun in a case or bag when you are carrying it.



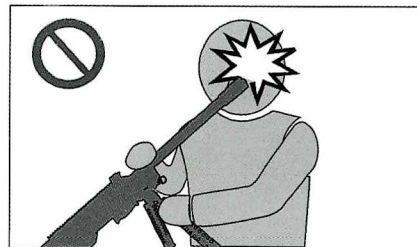
Store the Airsoft Gun at places out of reach by children



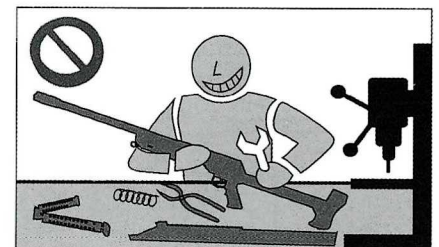
BB bullets may be shot out even if the magazine is removed.



Release and put away your fingers from the trigger, except when you are ready to shoot a target.



Never look into the gun muzzle.



Never disassemble or modify the Airsoft Gun.



Observe warnings and cautions written in your operating manual. OBEY all laws and regulations on proper airgun handling in your area.